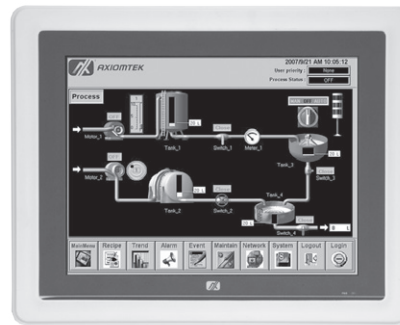


GOT5100T-834

10.4" XGA/SVGA TFT Fanless Touch Panel Computer with Intel® Celeron® Processor J1900

Features

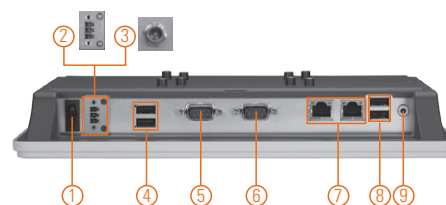
- 10.4" XGA/SVGA TFT LCD display with LED backlight
- Fanless design with Intel® Celeron® processor J1900 and internal antenna
- 2 GbE LAN, 4 USB and 2 COM
- Plastic and IP65-rated front bezel
- Supports RFID (optional)
- Supports panel mount/wall mount/VESA arm



▲ Side view



▲ Desktop stand



1. Power switch
2. Terminal block for DC power input or
3. Screw conn. w/ AC power adapter
4. USB 3.0 x 2
5. COM 1 (RS-232/422/485)
6. COM 2 (RS-232/422/485)
7. Ethernet x 2
8. USB 2.0 x 2
9. Audio (Line-out)



Introduction

The GOT5100T-834 is a 10.4" Intel® Celeron®-based fanless touch panel computer. In response to market demand, this panel computer is a cost effective solution. It adopts a modern, super sleek and fanless design and is equipped with a 10.4" TFT LCD as well as Intel® Celeron® processor J1900 4 cores (Bay Trail). For wireless network connection, the GOT5100T-834 offers 2 PCI Express Mini Card slots. By just plugging in the mini card WLAN card, customers can have instant access to wireless LAN/GPRS/GSM/4G environments. Besides, it provides two types of power input. One is DC power input (9 to 36 VDC) with terminal block connector, and another is AC power adapter with screw type connector.

Super Slim & Ultra Lightweight Design

The GOT5100T-834 is a super slim touch panel computer for space-limited environment with its thickness of 45.8 mm and weight of 1.8 kg only, which make it installed everywhere.

Built-in Internal WLAN Antenna

The GOT5100T-834 provides 2 PCIe Mini Card slots and a built-in WLAN antenna for wireless network connections. By simply plugging in the wireless LAN card, customers can use the GOT5100T-834 in a wireless LAN/GPRS/GSM/4G environments.

Aluminum Back Chassis with Excellent Thermal Solution

With Axiomtek's patent for plastic plus aluminum mechanism design, the GOT5100T-834 can dissipate the heat easily and keep the system operation stable.

Specifications

| | | |
|-------------|---|--|
| Front Bezel | IP65, NEMA 4 rugged protection, plastic front bezel | |
| LCD Panel | Display Type | 10.4" XGA/SVGA TFT LCD with LED backlight |
| | Brightness (cd/m ²) | 350 nits (XGA) 400 nits (SVGA) |
| | Resolution | 1024 x 768 (XGA) 800 x 600 (SVGA) |
| | Viewing Angel (H/V) | 140°/120° |
| | Main System | CPU |
| | System Memory | 1 x 204-pin DDR3L-1333 MHz SO-DIMM, up to 8GB |
| | BIOS | AMI UEFI BIOS |
| | Storage | 1 x 2.5" 7/9.5mm SATA HDD 1 x CFast™ or mSATA |
| | Watchdog Timer | 255 levels, 0 to 255 sec. |
| | Onboard Graphics | Integrated in Intel® GFX |

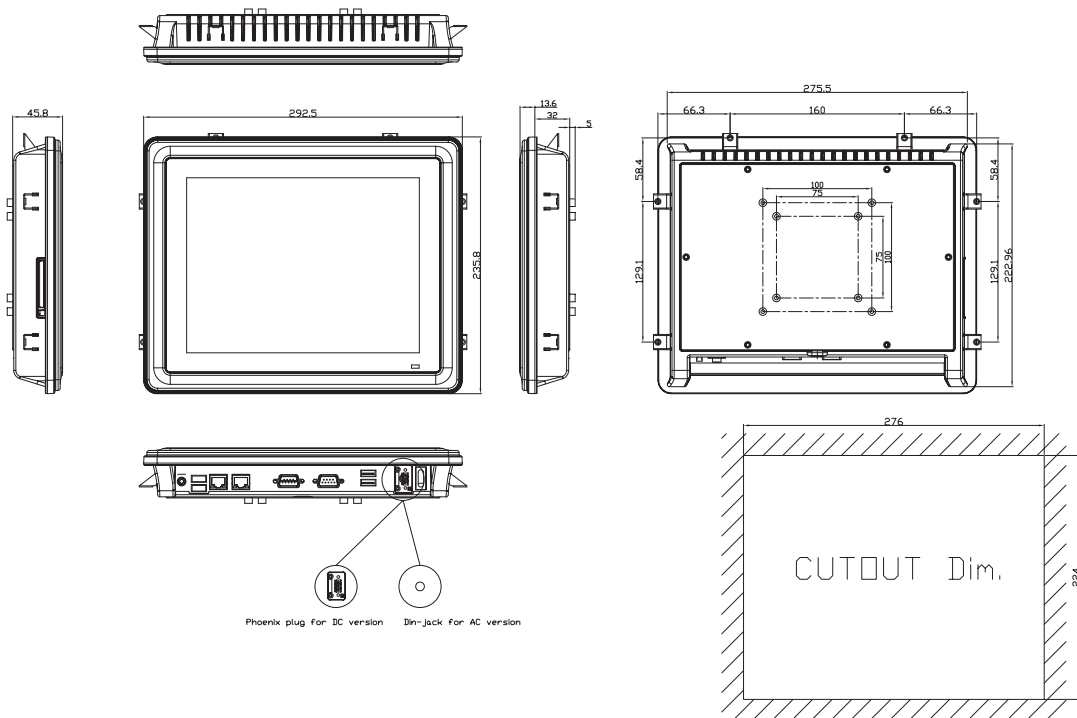
Specifications

| | |
|---------------------|--|
| I/O Connector | 2 x RS-232/422-485 (default RS-232, COM 1/2) 2 x 10/100/1000 Mbps Ethernet (Intel® i210IT) 2 x USB 2.0 2 x USB 3.0 1 x Audio (Line-out) |
| TPM | N/A |
| Expansion Interface | 1 x full-size PCI Express Mini Card slot with mSATA 1 x full-size PCI Express Mini Card slot with SIM |
| Touchscreen | Resistive type |
| Power Supply | 1. DC version: 9 to36 VDC with over-current protection fuse 2. AC version: 100 to240 V AC-DC, 60W power adapter |
| Power Consumption | 32 W |
| Dimension | 292.5 mm (11.52") (W) x 45.8 mm (1.80") (D) x 235.8 mm (9.28") (H) |
| Packing Dimensions | 415 mm (16.34") (W) x 100 mm (3.94") (D) x 315 mm (12.4") (H) |
| Weight (net/gross) | 1.8 kg (3.96 lb)/3 kg (6.61 lb) |
| Environment | Operating temperature: 0°C to+50°C (+32°F to+122°F) (with W.T. DRAM/HDD in airflow condition) 0°C to+45°C (+32°F to+113°F) (with W.T. DRAM/HDD) Relative humidity: 20% to90% @ +40°C; non-condensing Operation vibration: 2G, 5 to500Hz, random for CFast™ |
| Certificate | CE |

Packing List

- 1 x GOT5100T-834
- 1 x Driver CD
- 1 x Adapter (GOT5100T-834-J)
- 1 x Panel mount kit
- 1 x Wall mount kit
- 1 x Phoenix connector (GOT5100T-834 DC)

Dimensions



Ordering Information

| | |
|---------------------|---|
| GOT5100T-834-J | 10.4" SVGA fanless touch panel computer with Intel® Celeron® processor J1900, 5-wire resistive touch screen, AC-DC 60W power adapter (screw type connector) and EMI class B |
| GOT5100T-834-DC | 10.4" SVGA fanless touch panel computer with Intel® Celeron® processor J1900, 5-wire resistive touch screen and 9 to36 VDC power input (terminal block connector) |
| GOT5100T-834-XGA-J | 10.4" XGA fanless touch panel computer with Intel® Celeron® processor J1900, 5-wire resistive touch screen, AC-DC 60W power adapter (screw type connector) and EMI class B |
| GOT5100T-834-XGA-DC | 10.4" XGA fanless touch panel computer with Intel® Celeron® processor J1900, 5-wire resistive touch screen and 9 to36 VDC power input (terminal block connector) |

Optional

| | |
|-----------------------|-----------|
| Wi-Fi + Bluetooth kit | |
| Speaker kit | |
| E226171106 | Stand kit |
| 881251203A0E | RFID kit |

* Specification and certifications are based on options and may vary.

Optional EOS Installation

| |
|---------------------------|
| WES 7 |
| WE8S |
| Windows 10 IoT Enterprise |

Optional OS Installation

| |
|--------------|
| Windows® 7 |
| Windows® 8.1 |
| Windows® 10 |

